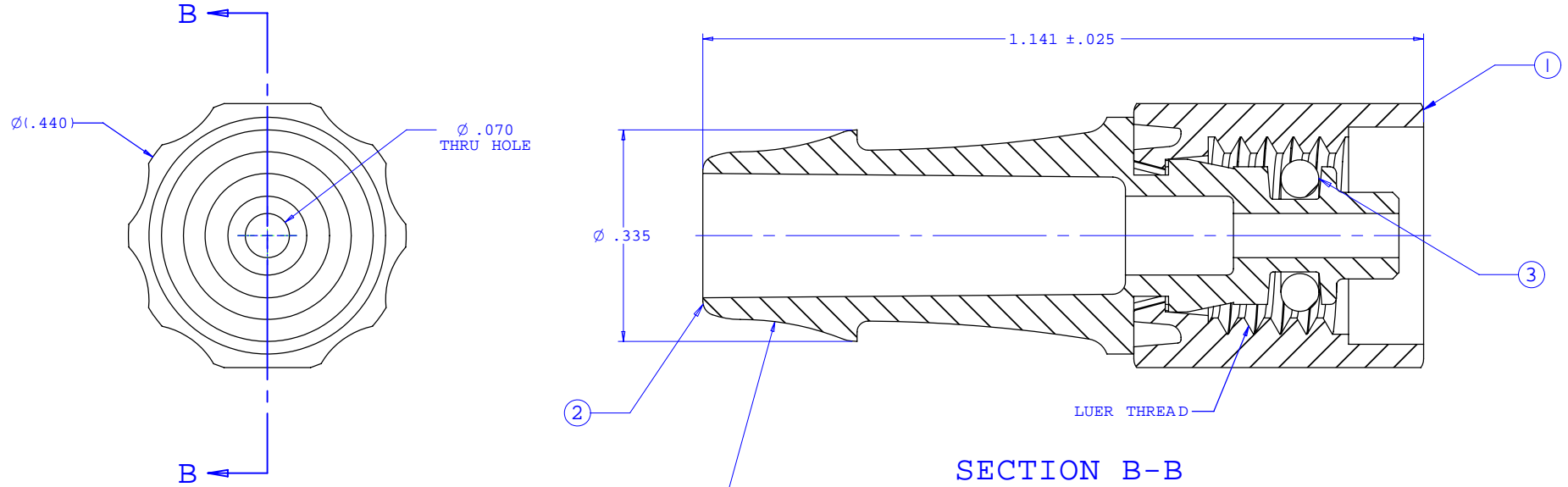
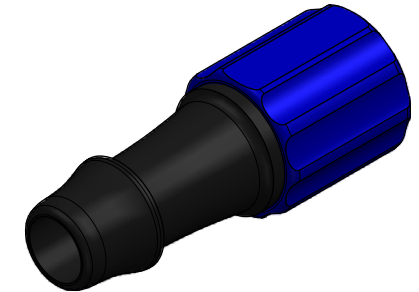


NOTE: FOR MORE DETAILS SEE YOUR V.P. CUSTOMER SERVICE REP.

REVISIONS			
REV.	DESCRIPTION	DATE	APPROVED
A	INITIAL RELEASE	07-27-00	
B	CO 018 Drafting Update	07-11-05	Rick C.



INSTRUMENT QUALITY PART. NO PARTING LINE PERMITTED ON THIS SURFACE.



Item Number	Part Number	Rev.	Description	Quantity
1	BPN		Blood Pressure Locking Nut	1
2	BPI055	A	Blood Pressure Internal to #055 Barb	1
3	5W2-0021		Blood Pressure O-Ring for BPA Fittings	1

UNLESS OTHERWISE SPECIFIED DIMENSIONS ARE IN INCHES TOLERANCES ARE:		VALUE PLASTICS, INC.	
FRACTIONS ±	DECIMALS ±	ANGULAR ±1°	PART NUMBER: BPA055
.XX ±.01	.XXX ±.005		DESCRIPTION: Blood Pressure Adapter with Internal 5/16-24 UNF Thread and O-Ring to 500 Series Barb, 1/4" (6.25 mm) ID Tubing
.XXXX ±.001			
DO NOT SCALE DRAWING			
DRAWN BY: Frank Lombardi	DATE: 06-03-05	SIZE: B	SCALE: NTS
Engineer/Manager: Rick Cairns		DRAWING NUMBER: 1006853	REV. B
© 2005 VALUE PLASTICS, INC.			SHEET: 1 OF 1

FOR REFERENCE ONLY